

- \* AN ANNUAL OVERVIEW
- \* CHRISTMAS GIFT OF THE YEAR
- \* HARDWARE TRAINING COURSES
- \* TANDBERG DATA ENTERS THE US MARKET
- \* UPDATING THE TDV 2200 SERIES OWNER'S MANUAL



# newsletter

# Contents

---

An annual overview from our Managing Director ...	1
Opening hours during the Christmas vacation .....	1
Christmas gift of the year .....	2
New faces at Tandberg Data .....	2
TDV 2200 product update .....	4
TDV 2200 error report procedure introduced .....	4
Updating the TDV 2200 series Owner's Manual .....	5
Hardware training courses .....	6
Tandberg Data enters the US market .....	8
New version of the diskette drive in TDV 2124 ...	8
List of representatives .....	9
List of documentation .....	10
New publications from DIG .....	13
ECN status list .....	13
Problem Report TDV 2200 form .....	15

## Newsletter deadlines

---

We strongly encourage our readers to make use of the NEWSLETTER to distribute information which might be of interest to others.

Please notice however, that the next deadline is:

March 1st

19  
ye  
ex  
on  
  
Pr  
De  
and  
For  
dou  
  
Our  
wel  
mar  
pro  
  
The  
in  
TDV  
sub  
  
The  
of T  
we h  
Depa  
  
The  
expe  
forw  
conn  
  
Ope  
  
Tand  
  
Our  
We w  
  
Howe  
28th  
15.00  
direc

## An annual overview from our Managing Director

1981 is drawing to a close. It has been a demanding and exciting year. Tandberg Data has experienced growth and profitability above expectations. We have consolidated old markets and penetrated new ones.

Production of our new ergonomical VDU, TDV 2200, started in December 1980. During the first nine months of 1981 we produced and shipped 7000 units, 1000 units more than originally planned. For the fiscal year 1981/82 the production volume will be more than doubled.

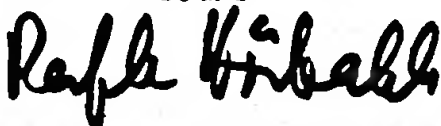
Our subsidiary in Germany, Tandberg Data GmbH, has performed very well. It has established Tandberg Data firmly on the German market. The company ended its first fiscal year by being profitable, which I believe is excellent.

The acceptance of ergonomical features in VDUs has reached a point in the United States where we have found it right to introduce TDV 2200 in that market too. For this purpose we have set up a subsidiary that will be operating from January 1st 1982.

The reactions from our users concerning the quality and reliability of Tandberg Data products have been encouraging. For all products we have now reached the targets set by our Quality Assurance Department.

The fiscal year just started looks promising. Tandberg Data expects healthy growth both in sales and profits. We are looking forward to enjoying good and lasting relationships with all our connections. With the best wishes for the coming year.

Yours



Ralph Høibakk

## Opening hours during the Christmas vacation

Tandberg Data A/S will be closed during the Christmas vacation.

Our last working day will be Wednesday 23rd December 1981.  
We will be back again on Monday 4th January 1982.

However, our Customer Service Department will be open from Monday 28th to Wednesday 30th December including, all days from 08.00 to 15.00 hours. For service please call (47-2) 23 21 82 which is a direct line to our Customer Service Department.

## Christmas gift of the year

---

A comprehensive User's Guide for TOS-II is now available. It contains the following chapters:

- . System overview
- . Auxiliary Devices under TOS-II
- . Hardware Environment
- . How to start
- . Commands - an Introduction
- . Data Input/Output - Details
- . Commands - Details
- . System Functions
- . TOS-II System Configuration
- . Six appendices



This User's Guide describes TOS, Version 2.1-1. "TOS-II User's Guide" can be ordered from our Sales and Marketing Department:

Part no. 394891    Publication no. 5145    Revision no. 1  
Price Nkr 405.-.

## New faces at Tandberg Data

---



Jarl Erland Aas is educated as a technician in the Norwegian army. He has been working at Forsvarets Fellessamband for the last two years. Now employed as a service engineer in our Service Department.



Gunnel Berdal Wullstein is a secretary for our Managing Director. She is a graduate from Oslo Handelsgymnasium and has studied languages at the University in Munich. Has working experience from Siemens AG and Vendor-MAK Motorsalg A/S.



Øivind Helseth, B.Sc.  
a graduate from Heriot-Watt  
University, Edinburgh in Scotland.  
Has experience in programming from  
Siemens and as an instructor for  
programming courses at Statens  
Teknologiske Institutt. Now a  
Technical Training Manager at the  
Technical Department in the  
Marketing section.



Gro Bergstrøm  
is a secretary for our Marketing  
section. She is educated at  
Oslo Sekretærskole, and has  
all-round experience, last  
employed by SAS.



Karel Babčický  
is a graduate in mathematics/physics  
from the University in Prague.  
Has experience as a researcher at  
Norsk Regnesentral since 1968. Now  
a system consultant in our Marketing  
section.



John Søndergaard  
has working experience from  
Tandbergs Radiofabrikk and IDT in USA.  
Now employed as a sales engineer in our  
Marketing section dealing with technical  
support of tape products.



Jarle Langdal  
is an engineer educated at Norges  
Tekniske Høyskole, and has been  
working as a researcher at Norsk  
Regnesentral and SHAPE Technical Center  
in the Hague. The last ten years he has  
been working at Infoconsult A/S and A/S  
Dataterminaler. Now a project manager for  
display terminals in our Marketing section.

# TDV 2200 product update

Since our last update, two new products are available:

TDV 2233 is designed to replace Computer Automation CRT II.

TDV 2235 is an ergonomical alternative for Data General users. It can replace D100 and D200 as well as the older 6052 and 6053.

## TDV 2200 error report procedure introduced

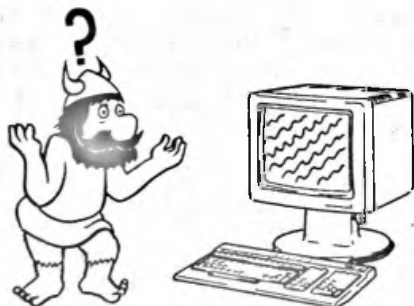
The terminals of the TDV 2200 series are designed with utmost care and attention to details. In spite of this however, errors may still occur - be it equipment problems, insufficient documentation or simply misunderstandings on the user part.

Whatever the cause of the problem, we are interested in learning about it, simply because without proper reporting and documentation of errors, support of a product becomes difficult, if not impossible. Further, as the advanced users can certify, the complexity of modern terminals calls for a reliable form of reporting.

In order to strengthen the error correction service, we are introducing a standard Problem Report form, see page 15. From now on, use of the form eliminates all informal contacts with the TDV 2200 Support Group when reporting alleged or real problems. In return, we shall endeavour to do our best to assist the user in the shortest possible time.

A properly completed form should be directed to the local Tandberg Data representative who will in most cases attend to the problem immediately. The report will be conveyed further to Tandberg Data if necessary. (Note that in the latter case a direct link will be established between the user and the responsible group so that communication will be free for any disturbances or delays caused by go-betweens.)

Feel free to reproduce the enclosed form or contact your Tandberg Data representative for more copies. We hope that you will find this new form of support to your satisfaction!



# Updating the TDV 2200 series Owner's Manual

The updating routine of the TDV 2200 series Owner's Manuals is based on the distribution of ECNs (Engineering Change Notices). The ECNs describe changes in firmware and primitives from the time of the first release of the product. Thus, you will be able to update and backdate your Owner's Manual by means of ECNs.

A yellow updating card is inserted in the front of each Owner's Manual.

If you want updating, you must fill in the form of the updating card and mail it to our address.

Unfortunately, this updating card has not been available until quite recently, and there is therefore little chance that any of you are on this mailing list.

The form below is a copy of the updating card. If you have not received such a card, and you want updating of your Owner's Manual, please fill in the form and mail it to our address:

Tandberg Data A/S  
P.O. Box 9 Korsvoll  
OSLO 8, NORWAY  
Att.: Service Department

✂

**TANDBERG DATA**

PRODUCT: TDV 2200 Series Owner's Manual

Version:

We want to be on the mailing list of ECNs for firmware updating/backdating

Company: \_\_\_\_\_

Address: \_\_\_\_\_

Att.: \_\_\_\_\_

Updated (date): \_\_\_\_\_

*IMPORTANT:  
Specify version!*

# Hardware training courses

## GENERAL INFORMATION

The hardware training courses are intended for service engineers with experience in digital technique and knowledge of the Intel 8080 draft.

In the courses, digital electronics are instructed mainly on a functional block level, analog electronics (e.g. power supply, video) on a more detailed level.

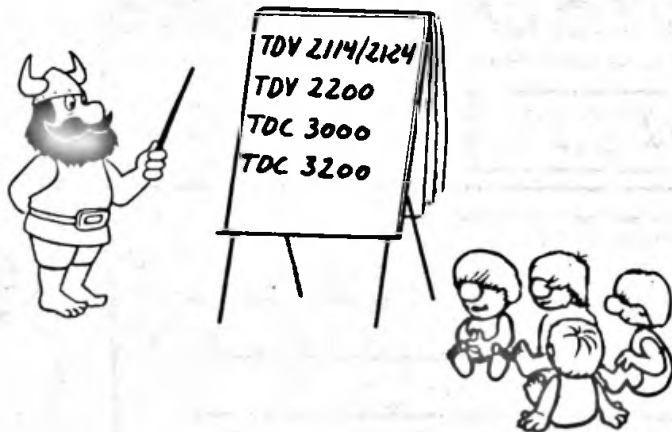
The general time schedule of the courses is from 09.00 to 16.00 with lunch from 12.00 to 12.30 and coffee breaks at 10.00 and 14.00 hours.

The number of participants are limited to twelve persons. A course is cancelled if less than four apply.

Enrolment should be made not later than three weeks prior to the beginning of the courses. Upon enrolment you will receive an acknowledgement of your registration with administrative details. However, Tandberg Data reserves the right to refuse an enrolment if the course in question is fully subscribed. Tandberg Data reserves the right to cancel a course within one week prior to the beginning.

Please note that hotel accomodation in Oslo is sometimes hard to obtain. It is advisable to book well in advance, and in case you want us to make the reservations for you, let us know at your earliest convenience and give us exact information of arrival/departure dates and category hotel.

Your contact at Tandberg Data A/S is Øivind Helseth.





TDV 2114/2124 HARDWARE TRAINING COURSE, 5 days  
-----

Contents: TDV 2114 with display logic, theory and practical service hints.  
CPU and memory boards, theory.  
Interfaces, Controllers and Diskette drive, theory and practical service hints.

Time: 18th - 22nd January.

Training fee: Nkr 4600.-  
Lunch, refreshments and manuals are included.

TDV 2200 HARDWARE TRAINING COURSE, 3 days  
-----

Contents: TDV 2200 hardware description.  
Test, adjustment, troubleshooting aids and procedures.

Time: 1st - 3rd February.  
This course will be repeated 10th - 12th May.

Training fee: Nkr 2800.- incl. lunch, refreshments and documentation.

TDC 3200 HARDWARE TRAINING COURSE, 4 days  
-----

Contents: Overall system description.  
Hardware/firmware description.  
Test, adjustment, troubleshooting aids and documentation.

Time: 1st - 4th March.

Test, adjustment, troubleshooting aids and procedures.

Time: 10th - 12th May.

Training fee: Nkr 2800.- incl. lunch, refreshments and documentation.

TDC 3000 HARDWARE TRAINING COURSE, 3 days  
-----

Contents: TDC 3000 Cartridge Drive, theory.  
Formatter and Parallel I/O Controller.  
Practical service hints.

Time: 8th - 10th March.

Training fee: Nkr 2800.- incl. lunch, refreshments and documentation.

## Tandberg Data enters the US market

---

Encouraged by a very satisfactory first business year with our daughter company Tandberg Data GmbH in Germany, (established in Dortmund in 1980) Tandberg Data is now opening a sales company in the USA.

In Armonk - about 50 "car minutes" north of New York - Tandberg Data Inc. has been established, and will be operative from January 1982. Tandberg Data Inc. is renting office-, service- and stock- facilities from Tandberg of America in "Norhus".

As president of the company, Mr. Odd Heldre, accompanied by two or three employees, will commence the business with the introduction and sale of our VDU family TDV 2200.

Tandberg Data Inc. will concentrate their activities on large End Users and smaller and "middle large" OEMs.

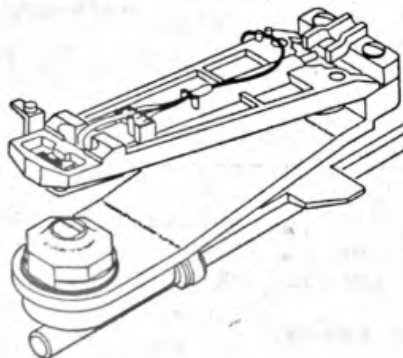
We wish you and your crew, Mr. Heldre, the best of luck and success in the competitive US market.

## New version of the diskette drive in TDV 2124

---

Two different versions of the Shugart SA850 Double Density Double Sided Diskette Drives have been used in the TDV 2124. Changing from the old to the new version took place during a transition period from TDV 2124 serial no. 230029 to 230149.

The new version is also called "Bi-Compliant". The TDV 2124 Service Manual volume 3 will from now on contain service instructions for both versions.



BI-COMPLIANT READ/WRITE HEAD

# List of representatives

Updated 25th November 1981

## NORWAY

Mr. Kjell Sørebo	Computer Systemer A/S P.O. Box 2380 5012 SOLHEIMSVIK	Telephone: (47-5) 29 80 27
Mr. Roger Lien	Sagveien 21 OSLO 4	Telephone: (47-2) 35 63 78
Mr. Finn Radmann Mr. Arild Gladse	Kontorsenteret, Finn Radmann A/S Fjordgt. 46/48 7000 TRONDHEIM	Telephone: (47-75) 33 060
Mr. Arne Heen Mr. Pål Kjersem Mr. Øistein Helstrøm	Norske Data Systemer A/S Kongensgt.2 OSLO 1	Telephone: (47-2) 41 08 30

## ENGLAND

Mr. Ron Fairbairn	Farnell Int. Instr.Ltd. Sandbeck Way Wetherby West Yorkshire. LS22 4DH	Telephone: (44) 937 61961 Telex: 0051/55478
-------------------	---	--

## WEST-GERMANY, SWITZERLAND and the NETHERLANDS

Mr. Hans Augst	Tandberg Data Gmbh Loevenstrasse 17 4600 Dortmund	Telephone: (49-231) 52 74 13/14 Telex: 0041/8227215
----------------	---	--

## DENMARK

### Display Computers and Terminals:

Lars Dam Jensen	Siemens Data AS Borupvang 3 DK-2750 Ballerup	Telephone: (45-2) 65 65 65 Telex: 0055/35313
-----------------	--	---

### Tape products:

Mr. Svend Elvers	A/S Danbridge 5,Hirsemarken 3520 FARUM	Telephone: (45-2) 95 55 22 Telex: 0055/37579
------------------	--	---

## FINLAND

### GENERAL AGENT:

Mr. Tore Petterson Mr. Pekka Rope	Siemens OY Mikonkatu 8 P.O. Box 8 00101 HELSINKI 10	Telephone: (358-90) 1626-1 Telex: 0057/124465
--------------------------------------	--	--

### SUB AGENT:

Mr. Seppo Kuisma	Videodata OY P.O. Box 30 SF-00401 HELSINKI 40	Telephone: (358-0) 562 4266 Telex: 0057/123430
------------------	---	---

## SWEDEN

Mr. Sten Fransson Mr. Ronny Forsberg	Siemens Data AB Fack 172 07 SUNDBYBERG	Telephone: (46-8) 98 79 00 Telex: 0054/17221
---	--	---

## USA

### Display Computers and Terminals:

Mr. Odd Heldre	Tandberg Data Incorporated Labriola Court Armonk N.Y. 10504	Telephone: (914) 273-9150 Telex: 00230/137357
----------------	--	--

### Tape products:

# Have you checked your stock of documentation lately?

## THE FOLLOWING CODES ARE USED :

\* = available through our  
ordering department  
1 = in preparation  
2 = being printed first time  
3 = being reprinted

K = only delivered as part of a kit  
N = non-restricted  
P = product related; only available with  
purchase of associated hardware

PUBL. NO.	REV. NO.	TITLE	PART NUMBER	CODE
K5131	0	Shiel.Fl.Cabl.Pol.Keys,Mount.Instr	--	*
N5321	0	SOFTWARE Introduction to TD Micro Pascal	393190	*
N5041	1	SOFTWARE Software Error Report, Form	374051	*
N5144	1	SOFTWARE TOS Ver. 2.1-1, System Description	393210	*
N5145	1	SOFTWARE TOS-II User's Guide (Ver. 2.1-1)	394891	*
P5237	0	TDC 3000 48 V DC Power Supply, Service Man.	390811	1
N5245	0	TDC 3000 48 V DC Power Supply, Specs.	393074	*
N5234	0	TDC 3000 Cartridge Storage Recommendations	390071	*
K5128	0	TDC 3000 EMC Mod. Kit, Mounting Instr.	386084	*
P1566	1	TDC 3000 Formatter (960055)	367041	*
P5275	0	TDC 3000 Motion Control Modification Kit	391602	*
P1455	1	TDC 3000 Operating Instructions	359534	*
P1552	2	TDC 3000 Parallel I/O Controller (960056)	369677	*
N5083	1	TDC 3000 Product Specifications	385015	*
K5119	1	TDC 3000 Rear Cover Kit, Mounting Instr.	--	*
N5098	1	TDC 3000 Reference Manual	375912	*
P1381	1	TDC 3000 Serv.&Op.Man.(exc.Form.&I/O Cont.)	358692	*
P5093	1	TDC 3000 Used with Fluke 2240A Data Logger	960980	*
P5027	0	TDC 3000/3011 Demo Cartridge, User's Manual	389160	*
N5084	1	TDC 3005 Product Specifications	386696	*
P5065	0	TDC 3005 Supp.to TDC 3000 Serv.Op.Man.(1381)	377206	*
P5039	1	TDC 3010 User & Service Manual (ALPHA-LSI)	359699	*
N5031	0	TDC 3011 BCS Driver Ver.3 (HP), Description	369455	*
P5019	0	TDC 3011 Bin.Loader/Dump (HP21MX), Specs.	385719	*
P5020	0	TDC 3011 Bin.Loader/Dump HP2100, Specs.	387400	*
N5076	0	TDC 3011 DOS Operating System (HP) User Man.	366573	*
P5023	0	TDC 3011 Disk Dump/Restore Progr.(HP),Descr.	387831	*
P5018	0	TDC 3011 OPER/HP-RTE Fam. of Opsys,User Man.	389433	*
P5024	0	TDC 3011 SIO Driver (HP), User's Manual	389512	*
P5017	1	TDC 3011 Test/Maint(2100/21MX)User Man.+ECN	366968	*
P5040	1	TDC 3011 User & Service Man. (HP2100/21MX)	374719	*
P5048	1	TDC 3013 Diskdump/Rest.Prog., User's Man.	365165	*
P5025	0	TDC 3013 RT-11 Driver (PDP-11), User's Man.	385798	*
N5049	1	TDC 3013 Specifications (PDP-11)	372133	*
P5047	0	TDC 3013 Test/Maint.Prog.(PDP-11),User'sMan.	367198	*
P5028	1	TDC 3013 User & Service Manual (PDP-11)	360971A	*
P5044	1	TDC 3025 Commun.Interf.V.24 Ver.C, Serv.Man.	369080	*
N5060	0	TDC 3025 Communication Interface V.24,Specs.	377012	*
P5125	1	TDC 3025 version 2 K Buffer, User's Manual	389683	*
N5163	0	TDC 3026 Comm. I/O Contr., Service Manual	387802	*
N5156	0	TDC 3026 Comm. I/O Contr., User's Manual	386832	*
N5162	0	TDC 3026 Signature Analysis Tables	389483	*
N5085	1	TDC 3050 Formatter with Parallel I/O Contr.	373262	*
N5139	0	TDC 3050 Using TMA 3 BB, Func. Test Proc.		*
P5042	0	TDC 3100 Service Manual	372801	*
N5286	1	TDC 3210 1/4" Streaming Tape, Ref. Manual	390273	*
N5260	4	TDC 3212 1/4" Streaming Tape, Ref. Manual	391300	*
N5287	1	TDC 3214 1/4" Streaming Tape, Ref. Manual	391954	*

PUBL. NO.	REV. NO.	TITLE	PART NUMBER	CODE
P5037	4	TDF 4050 Reference Manual	365705	*
K5012	0	TDF 4050 Self Test (960768), Operat. Instr.	--	*
P5050	0	TDF 4050 Service and Operating Manual	370725	*
N5062	3	TDS 8021/24 HASP/JES2, User's Guide	372730	*
N5008	3	TDS 8031 Operator's Guide (IBM 3270 Emul.)	388456	*
P5009	1	TDS 8031 Technical Overview (IBM 3270 Emul.)	386423	*
P5158	0	TDV 2100 16K/48K RAM	386674	*
N5003	0	TDV 2100 Buffered Editor, Specifications	367594	*
N5106	0	TDV 2100 COBOL VER.2.2, Release Description	393914	*
N5052	0	TDV 2100 Cable Fastening Kit, Description	371228	*
N5089	0	TDV 2100 Cluster Interface Handler	372084	*
P5067	2	TDV 2100 Deflection & Video Mk II	370733	*
P5069	1	TDV 2100 Display Logic	374095	*
P5068	1	TDV 2100 Keyboard Type K	372914	*
P5002	1	TDV 2100 PROM	375518	*
P5121	0	TDV 2100 Power Supply Mk III	389101	*
N5104	0	TDV 2100 Random File Manager, User's Guide	390552	*
N5101	0	TDV 2100 Relocatable Assembl. & Link. + App.	379935	*
P5122	0	TDV 2100 Shugart Disk.Drive, Maint. Manual	386989	*
N5045	0	TDV 2100 Synchronous Communication Driver	370646	*
N5053	0	TDV 2100 TCGS - TD Character Gener.System	370869	*
P5120	1	TDV 2100 TD RAM	387420	*
N5001	0	TDV 2100 TOS21 VER.1.5, User's Guide	361617	*
N5109	0	TDV 2100 TOS21 VER.1.6, Reference Card	390200	*
N5105	1	TDV 2100 TOS21 VER.1.6, System Descr. + App.	392233	*
N5124	1	TDV 2100 TOS21 VER.1.8, System Description	391881	*
P5082	0	TDV 2100 Technical Updating	370374	*
P5056	1	TDV 2100 Test Programs (960680), Descr.	386969	*
N5061	0	TDV 2100 Text Handler, Specifications	370941	*
N5164	0	TDV 2100 U200, User's Guide	390631	*
N5157	2	TDV 2100 VIP User's Guide TDV Emulators	391177	*
N5016	0	TDV 2100 XMON/P Form Handler, Specs.	387752	*
N5014	0	TDV 2100 XMON/S & XMON/SD Rev.lev. 1, Specs.	389785	*
N5013	0	TDV 2100 XMON/SV Rev. Level 1, Specs.	388104	*
N5095	0	TDV 2114 COBOL Language Manual	377751	*
N5096	0	TDV 2114 COBOL Reference Card	379432	*
N5058	0	TDV 2114 COBOL(960811.000),Release Descr.(App.to 5095)		*
N5099	0	TDV 2114 Cable Description	375675	*
P1549	1	TDV 2114 Cartridge Controller Mk II	366006	*
P5079	0	TDV 2114 Cluster Interface	372759	*
N5091	0	TDV 2114 Commercial Basic, Reference Card	377219	*
P1426	0	TDV 2114 Diskette Controller + Updating	362845	*
K5132	0	TDV 2114 EMC Mod.Kit Ext.Diskdr.Mount.Instr.	387765	*
K5133	0	TDV 2114 EMC Modification Kit, Mount. Instr.	386156	*
K5066	0	TDV 2114 Electrostatic Immunity Kit, Descr.	--	*
N5026	1	TDV 2114 Form Handler Ver. 1.2 (see 5016)	387479	*
P5057	0	TDV 2114 Horizontal Mounting of Disk. Drive	388650	*
P5116	0	TDV 2114 Illustrated Parts List	385423	*
P5036	0	TDV 2114 Initial Setting Up	367738	*
P5035	2	TDV 2114 Installation	366330	*
P5123	0	TDV 2114 LCG (Schematic Diagram)	389173	*
P5159	0	TDV 2114 LCG Mk II	388355	*
P5077	1	TDV 2114 Loc. & Interconn. Motherbd. Mk II	374792	*
K5094	0	TDV 2114 Mains Noise Suppression Kit, Descr.	--	*
N5033	0	TDV 2114 Operating Instructions (Prelim.)	368399	*
N5108	1	TDV 2114 Programmer's Reference Guide	388377	*
N5054	1	TDV 2114 Reference Manual	373132	*
N5015	0	TDV 2114 SORT, User's Documentation	377407	*
P4997	0	TDV 2114 Service & Oper. Manual (3 volumes)	960705	*
P5170	0	TDV 2114 Service & Oper. Manual, Volume 3	961233	*
P5126	0	TDV 2114 Shielded Flat Cable,Mounting Instr.	389798	*
P5080	1	TDV 2114 Synchronous Interface	373190	*
P5087	1	TDV 2114 System Description	373111	*
P5182	0	TDV 2114/24 CPU Mk II	391989	*
N5090	1	TDV 2114/24 Commercial Basic, User's Manual	375538	*

PUBL. REV. NO.	REV. NO.	TITLE	PART NUMBER	CODE
P5092	0	TDV 2115 Adapt.Cable TDV 2000 Comp.TDV 2115	--	*
P5055	0	TDV 2115 Display Controller	371372	*
P5070	2	TDV 2115/16 CPU Mk I	374957	*
N5100	0	TDV 2115/16 Cable Description	377356	*
K5086	0	TDV 2115/16 Electrostat. Imm. Kit, Descr.	--	*
P5117	0	TDV 2115/16 Illustrated Parts List	387493	*
P5064	1	TDV 2115/16 Location and Interconnection	371085	*
K5102	0	TDV 2115/16 Mains Noise Suppr.Kit, Descr.	--	*
P5114	1	TDV 2115C User's Guide	375827	*
P5148	0	TDV 2115C/15CV Service & Oper. Manual	961199	*
P5118	0	TDV 2115L User's Guide	388577	*
P5149	0	TDV 2115L/16L Service & Oper. Manual	961198	*
N5140	0	TDV 2116L User's Guide	389849	*
P5141	0	TDV 2124 CDC Hardw. Man. Double Dens. Drive	388822	*
P5097	4	TDV 2124 Double Density Mk I, Reference Man.	392937	*
P5113	2	TDV 2124 Double Density Mk I, Serv. Man.	387141	*
P5168	0	TDV 2124 Service & Oper. Manual (3 volumes)	961231	*
P5169	0	TDV 2124 Service & Oper. Manual, Volume 3	961232	*
P5181	1	TDV 2124 Shugart DD/DS Disk. Dr. Serv. Man.	393131	*
N5142	1	TDV 2124 XMON/F User's Guide	393562	*
P5296	0	TDV 2200 115 V Option Kit	390151	1
K5246	0	TDV 2200 Cable Fastening Kit, Description	390373	*
N5328	0	TDV 2200 Dynamic RAM	390726	1
N5209	0	TDV 2200 Guidelines for Firmware Developm.	394848	*
P5192	0	TDV 2200 Hardware Manual	961328	*
N5314	0	TDV 2200 Magnetic Card Reader Op.Ref.Man.	390338	1
N5324	0	TDV 2200 Reference Manual	390453	1
N5302	0	TDV 2200 Security Lock Option Kit,Ref. Man.	394174	*
P5214	0	TDV 2200 Service Manual	961326	1
N5317	0	TDV 2200 Test Monitor Specifications	390963	*
N5298	0	TDV 2200 Test Pattern Generator (EXECUT)	391444	*
N5283	1	TDV 2200 User's G. to the Library Routines	390000	*
N5205	3	TDV 2200 User's Guide to the Primitives	391838	*
N5323	0	TDV 2200 Video Output	394167	1
N5195	0	TDV 2201 Owner's Manual	961330	*
N5196	0	TDV 2211 Owner's Manual	961332	*
N5299	0	TDV 2211 Prod. Rel. Doc., Firmw. R. Lev. 10	393125	*
N5194	0	TDV 2215 Owner's Manual	961327	*
N5252	0	TDV 2215 Prod. Rel. Doc., Firmw. R. Lev. 1	391580	*
N5300	0	TDV 2215 Prod. Rel. Doc., Firmw. R. Lev. 10	394806	*
N5313	0	TDV 2215VIP Product Description	391365	*
N5215	0	TDV 2220 Owner's Manual	961329	*
N5193	0	TDV 2230 Owner's Manual	961331	*
N5235	1	TDV 2230 Prod. Rel. Doc., Firmw. R. Lev. 1	393333	*
N5295	0	TDV 2230 Prod. Rel. Doc., Firmw. R. Lev. 10	394138	1
N5259	0	TDV 2231 Owner's Manual	961333	*
N5301	0	TDV 2231 Prod. Rel. Doc., Firmw. R. Lev. 10	391092	*
N5268	0	TDV 2232 Owner's Manual	961169	*
N5276	0	TDV 2233 Owner's Manual	961762	*
N5288	0	TDV 2234 Owner's Manual	961771	1
N5303	0	TDV 2235 Owner's Manual	961790	*
N5319	0	TDV 2324 Preliminary Hardware Manual	961423	1
N5325	0	TDV 2324 User's Guide		1

# New publications from DIG

PUBL. NO.	REV. NO.	TITLE	PART NUMBER	CODE
N5144	1	SOFTWARE TOS Ver. 2.1-1, System Description	393210	*
N5145	1	SOFTWARE TOS-II User's Guide (Ver. 2.1-1)	394891	*
N5286	1	TDC 3210 1/4" Streaming Tape, Ref. Manual	390273	*
N5260	4	TDC 3212 1/4" Streaming Tape, Ref. Manual	391300	*
P5296	0	TDV 2200 115 V Option Kit	390151	*
N5209	0	TDV 2200 Guidelines for Firmware Developm.	394848	*
N5302	0	TDV 2200 Security Lock Option Kit, Ref. Man.	394174	*
N5317	0	TDV 2200 Test Monitor Specifications	390963	*
N5298	0	TDV 2200 Test Pattern Generator (EXECUT)	391444	*
N5283	1	TDV 2200 User's G. to the Library Routines	390000	*
N5205	3	TDV 2200 User's Guide to the Primitives	391838	*
N5195	0	TDV 2201 Owner's Manual	961330	*
N5196	0	TDV 2211 Owner's Manual	961332	*
N5299	0	TDV 2211 Prod. Rel. Doc., Firmw. R. Lev. 10	393125	*
N5194	0	TDV 2215 Owner's Manual	961327	*
N5252	0	TDV 2215 Prod. Rel. Doc., Firmw. R. Lev. 1	391580	*
N5300	0	TDV 2215 Prod. Rel. Doc., Firmw. R. Lev. 10	394806	*
N5313	0	TDV 2215VIP Product Description	391365	*
N5215	0	TDV 2220 Owner's Manual	961329	*
N5295	0	TDV 2230 Prod. Rel. Doc., Firmw. R. Lev. 10	394138	*
N5259	0	TDV 2231 Owner's Manual	961333	*
N5301	0	TDV 2231 Prod. Rel. Doc., Firmw. R. Lev. 10	391092	*
N5268	0	TDV 2232 Owner's Manual	961169	*
N5276	0	TDV 2233 Owner's Manual	961762	*
N5303	0	TDV 2235 Owner's Manual	961790	*

## ECN status list

**TDC 3000:** 3001-3045

**TDV 2100:** 2001-2222

**TDM 1000:** 1-15, 1001-1002

**TDF 4000:** 4001-4007

**TDV 2200:** 221001-221020





# TANDBERG DATA

# PROBLEM REPORT TDV 2200

## Product specification:

## Customer identification

Emulator type: TDV 22 \_\_\_\_\_

Name : \_\_\_\_\_

Revision level: <sup>1)</sup> \_\_\_\_\_

Firm : \_\_\_\_\_

Firmware identification: <sup>2)</sup> 96 \_\_\_\_\_ / \_\_\_\_\_

Address: \_\_\_\_\_

Keyboard serial no.: <sup>2)</sup> \_\_\_\_\_

1) See configuration menu, if any.

2) See underneath.

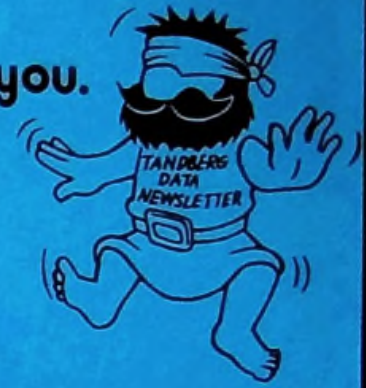
Description of problem:



Give  
Keep

<p>1950</p>	<p>1951</p>
<p>1952</p>	<p>1953</p>
<p>1954</p>	<p>1955</p>
<p>1956</p>	<p>1957</p>
<p>1958</p>	<p>1959</p>
<p>1960</p>	<p>1961</p>
<p>1962</p>	<p>1963</p>
<p>1964</p>	<p>1965</p>
<p>1966</p>	<p>1967</p>
<p>1968</p>	<p>1969</p>

**Give the Newsletter a chance of reaching you.  
Keep us informed!**



Second fold here <

Place postage here

**TANDBERG DATA A/S  
P.O. Box 9 Korsvoll  
OSLO 8  
NORWAY**

**Att.: Documentation and Information Group (DIG)**

First fold here <

**Please note the following change of address :**

**Name** : \_\_\_\_\_

**Company** : \_\_\_\_\_

**Old address** : \_\_\_\_\_

\_\_\_\_\_

**New address** : \_\_\_\_\_

\_\_\_\_\_

**Please include me on the mailing list  
for future issues of Tandberg Data Newsletter :**

**Name** : \_\_\_\_\_

**Company** : \_\_\_\_\_

**Address** : \_\_\_\_\_

\_\_\_\_\_



Season's Greetings  
and all the best  
wishes for 1982!



**TANDBERG DATA**

Documentation and Information Group  
(DIG)

© 1981 TANDBERG DATA A/S

TANDBERG DATA A/S  
P.O. Box 9 Korsvoll  
OSLO 8, NORWAY

Phone (47-2) 23 20 80  
Telex 17002 tdata n